

Rack Mount Net Managed Chassis



DATASHEET

BUY NOW



Features

- Integrated Platform
- All-in-One Design
- Flexible and Stable
- Pluggable Modules
- Ethernet
- Web GUI Real Time Management

Applications

- DWDM Network
- Optical Network

The RNMC is a cost-effective and flexible platform of Ethernet-controlled rack mount chassis, housing all our network pluggable modules and interfacing them through a single, user-friendly web software. It is built for high reliability and low power consumption. The modular platform simplifies building, upgrading, or expanding networks to meet the demands of today and future multi-service access requirements. It is compatible with a variety of optical layer pluggable modules, providing excellent optical performance. It can be applied to short and long distance DWDM dual-fiber/DWDM single-fiber communication links and optical cable monitoring systems to meet diverse needs across different scenarios.

The chassis comes with an Ethernet management business card, cooling fan, and AC/DC power supply.

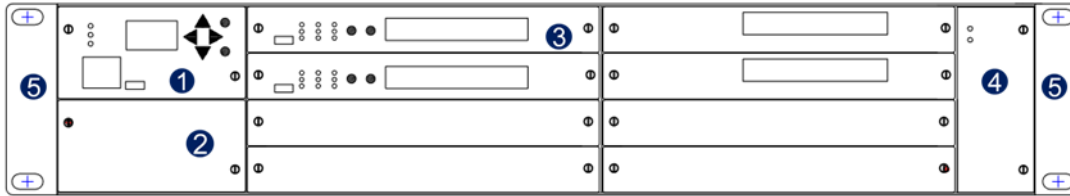
Specifications

Parameter	Min	Typical	Max	Unit
Rack Unit		1U	4U	
Slot numbers		4	16	
Power Supply	Dual Power: 100~240VAC / 36~72VDC			
Power Consumption	< 50		< 200	W
Management Protocol	SNMP / Telnet / SSH / HTTP			
Communication Interface	RJ45 / SFP / USB Console			
Dimension	1U	482.6 x 300 x 44.5		mm
	2U	482.6 x 300 x 86.0		mm
	4U	482.6 x 300 x 176		mm
Working Temperature	-10		60	°C
Storage Temperature	-20		75	°C
Relative Humidity (without condensation)	5%		95%	°C
Acoustic Noise			40	dB
Heat Dissipation	Direct Fan Cooling			

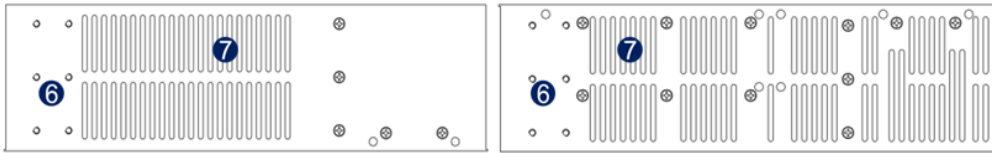
Legal notices: All product information is believed to be accurate and is subject to change without notice. Information contained herein shall legally bind Agiltron only if it is specifically incorporated into the terms and conditions of a sales agreement. Some specific combinations of options may not be available. The user assumes all risks and liability whatsoever in connection with the use of a product or its application.

Rev 06/04/24

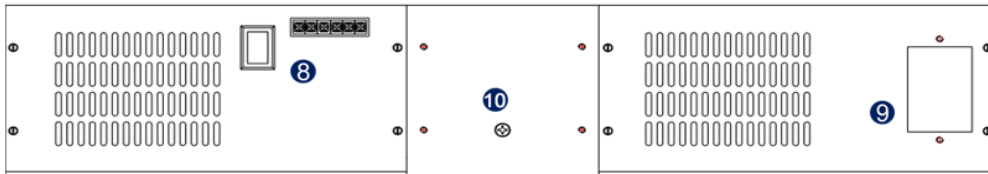
Layout (2RU)



Front panel



Side panel



Rear panel

1. Network management unit
2. Expansion slot
3. Business card slot, different type business cards can be mixed, hot swappable
4. Fan slot, hot swappable and independent replacement
5. Mounting ears
6. Mounting ear installation position
7. Side air vent
8. Power supply 1 slot, support AC power supply or DC power supply, hot swappable
9. Power supply 2 slot, support AC power supply or DC power supply, hot swappable
10. Grounding screw

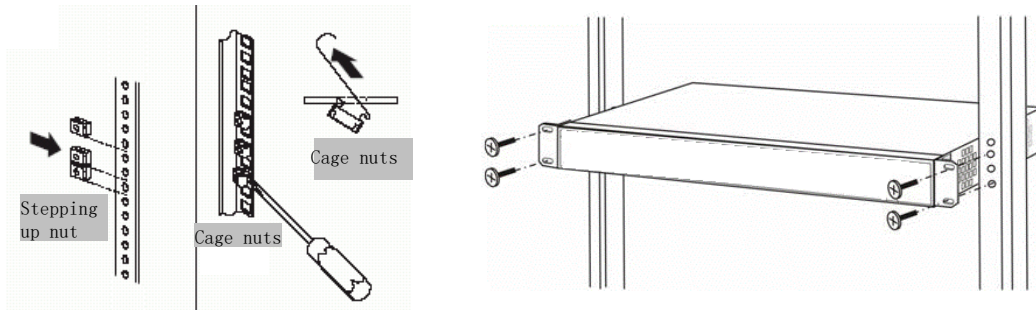
Ordering Information

Prefix	Type	Size	Power	NMU	Cooling Fan	0	0	0
RNMC-		1U = 1 2U = 2 4U = 4 Special = 0	Dual AC = 11 Dual DC = 22 AC/DC = 12	Yes = 1 No = 0	Yes = 1 No = 0			

Legal notices: All product information is believed to be accurate and is subject to change without notice. Information contained herein shall legally bind Agiltron only if it is specifically incorporated into the terms and conditions of a sales agreement. Some specific combinations of options may not be available. The user assumes all risks and liability whatsoever in connection with the use of a product or its application.

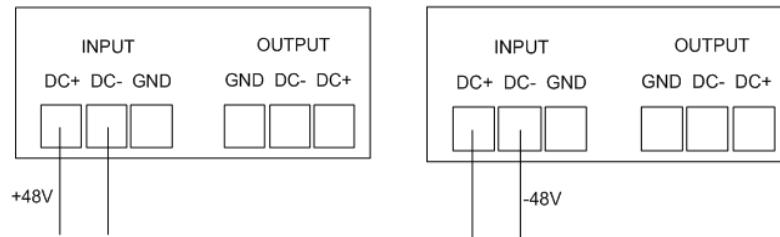
DATASHEET

Installation



- 1) Before mounting the chassis to the rack cabinet, check the ears on the chassis frame have been fixed and secured.
- 2) Check the business cards to make sure the cards are fully installed.
- 3) Make sure the power supply card(s) is/are correctly installed.
- 4) Mount the chassis into the cabinet, secure the chassis by fixing the ears to the cabinet frame using provided screws.
- 5) Make sure the air vent on both side are not blocked.
- 6) Please keep the machine room clean, constant temperature.
- 7) Install the ground wire when necessary

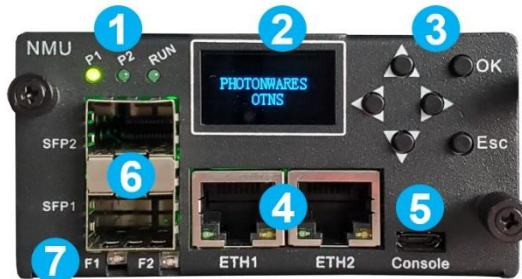
DC power supply wiring



Legal notices: All product information is believed to be accurate and is subject to change without notice. Information contained herein shall legally bind Agiltron only if it is specifically incorporated into the terms and conditions of a sales agreement. Some specific combinations of options may not be available. The user assumes all risks and liability whatsoever in connection with the use of a product or its application.

DATASHEET

Network Management Unit



The Network Management Unit card is used to manage the business card through network by SNMP/SSH/Telnet or Web GUI. The power state, running status, working performance, settings of all business cards and more functions are supported to review/modify through NMU.

Indicators:

Indicator	Notes	Normal state	Alarm state
P1	Power 1	Green light	Light-off
P2	Power 2	Green light	Light-off
RUN	Board Run	The light flashes every 1 second	Light-off or flashes irregularly
F1	SFP1	The light flashes	Light-off
F2	SFP2	The light flashes	Light-off

Communications:

Interface name	Notes	Interface type
ETH	Internet communication interface	RJ-45
Console	Upgrade interface	Micro USB

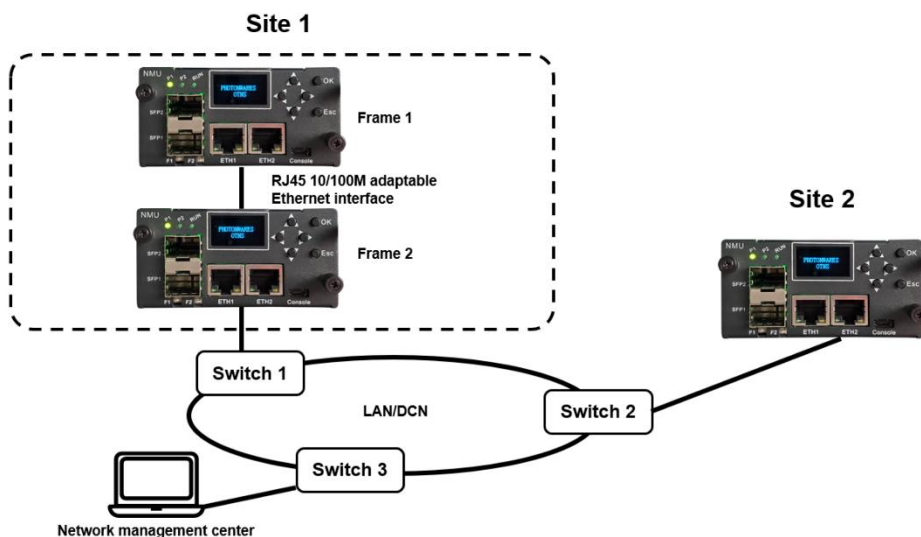
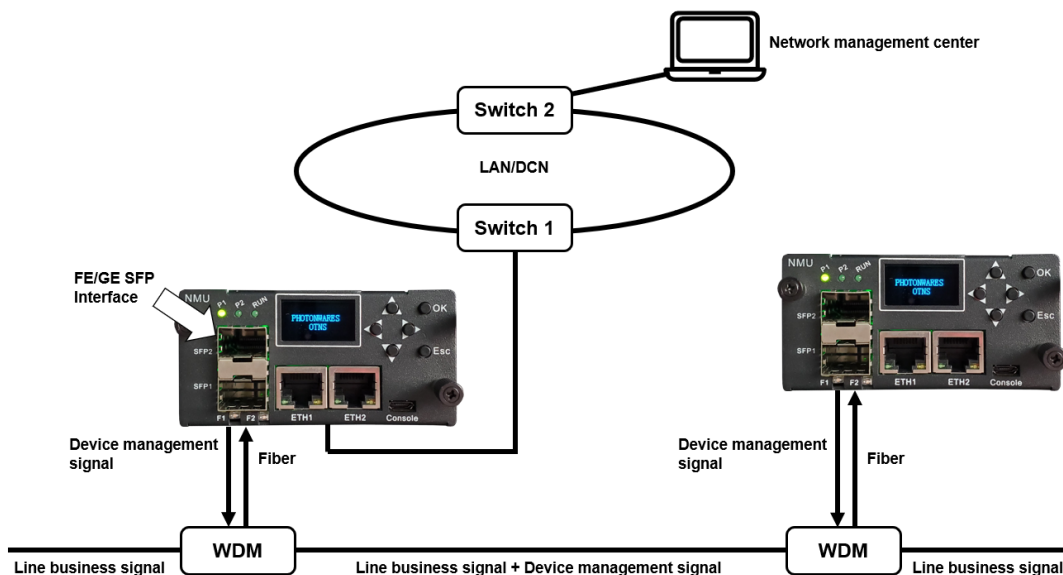
Use Twisted pair cable to connect ETH1 or ETH2 with the computer , and configure the device and computer in the same IP segment. The default IP address can be seen on the small screen. To use the web GUI, just simply type the default IP address to the web browser : 192.168.1.200:8081, default username for WEB : admin password : admin

Tips: The NMU screen will be in sleep mode if you do not press the buttons over 10mins.

Legal notices: All product information is believed to be accurate and is subject to change without notice. Information contained herein shall legally bind Agiltron only if it is specifically incorporated into the terms and conditions of a sales agreement. Some specific combinations of options may not be available. The user assumes all risks and liability whatsoever in connection with the use of a product or its application.

DATASHEET

Typical connections for example:



Legal notices: All product information is believed to be accurate and is subject to change without notice. Information contained herein shall legally bind Agiltron only if it is specifically incorporated into the terms and conditions of a sales agreement. Some specific combinations of options may not be available. The user assumes all risks and liability whatsoever in connection with the use of a product or its application.